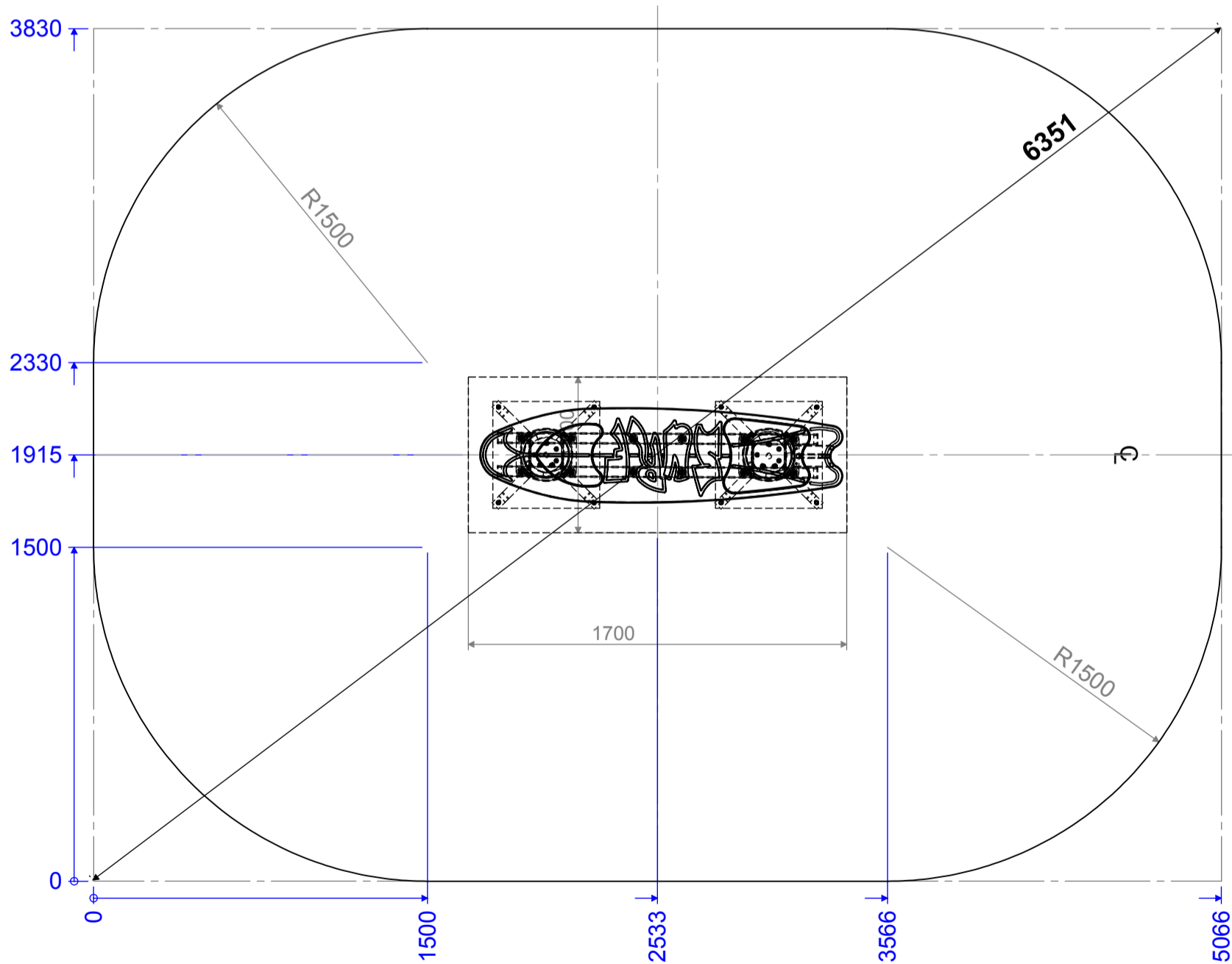
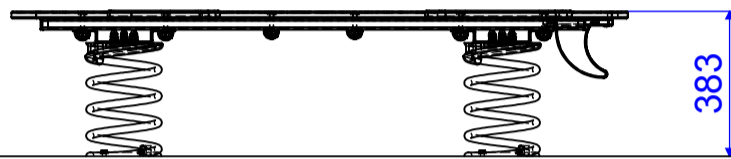


Item	Type	Min Qty.
Wetpour (m <sup>2</sup> )	FFH 0.6 m	17.47
Unit Fix (m <sup>3</sup> )	1:2:4 Concrete	0.43
Surfacing Base (m <sup>3</sup> )	MOT Type 1	1.75



Current Drawing Status  
Manufacturing Manual

This drawing must not be copied or passed on to a third party without the specific permission of G.L. Jones Playgrounds Ltd. This drawing is supplied on the understanding that the installer has the required skills to ensure correct installation - G.L. Jones Playgrounds Ltd can only guarantee installations completed under their direct supervision.



GL Jones Playground Ltd  
Station Road, Bethesda  
Gwynedd LL57 3NE  
Tel: 01248 600372  
info@gljones-playgrounds.co.uk  
www.gljones-playgrounds.co.uk

	NAME
LASTSAVE	mike.roberts
DRAWN	Mike Roberts

DO NOT SCALE DRAWING

REVISION 02

TITLE: Waikiki Surf Board Springer

This drawing is for guidance only and has been produced with the BS EN1176 & BS EN 1177 standards in mind. The installer will need to ensure compliance with their country's standards before using this drawing.

DWG NO.  
C503-002  
DATE 22/03/2021

A3  
©  
SHEET 2